

K7TM OMRON

Heater Condition Monitoring Device

EN INSTRUCTION MANUAL

Thank you for purchasing the OMRON Product. Please observe the following items when using the Product.

- Before using the Product, thoroughly read and understand this manual to ensure correct use.
- This Product is designed for use by qualified personnel with a knowledge of electrical systems.
- Be sure to read the *K7TM User's Manual* (Cat. No. N227) before using the Product.
- Keep this manual in a safe location so that it is available for reference when required.

If you have any questions, consult your dealer or OMRON representative.

OMRON Corporation
©OMRON Corporation 2021 All Rights Reserved.
5690222-2A (Side-A)

Safety Precautions

Warning Indications

	Indicates a potentially hazardous situation which, if not avoided, may result in minor or moderate injury, or property damage.
Precautions for Safe Use	Precautions on what to do and what not to do to ensure safe usage of the Product.
Precautions for Correct Use	Precautions on what to do and what not to do to ensure proper operation and performance.

Meaning of Product Safety Symbols

	● Electrical Shock Caution Indicates possibility of electric shock under specific conditions.
	● General Prohibition Indicates unspecified general prohibitions.
	● Disassembly Prohibition Indicates prohibitions the disassembly of a device because of the possibility of injuries due to electric shock.
	● General Instructions Indicates instructions on unspecified general action.

	Minor injury due to electric shock may occasionally occur. Do not touch the Product except for any buttons (keys) while power is being supplied.
	Electric shock may occasionally occur. Always turn OFF the power supplies to the load and the Product before wiring the special CT and voltage input.
	Touching an electrode may occasionally result in electric shock. Keep the terminal cover on the output side of the special CT securely closed.
	Minor electric shock, fire, or malfunction may occasionally occur. Do not allow metal objects, conductors, or cuttings from installation work to enter the Product.
	Minor electric shock, fire, or Product failure may occasionally occur. For the wire passing through the primary side of the special CT, be sure to use an insulated wire with basic insulation or higher degree of insulation. When clamping a busbar or other conductive material, ensure basic insulation or higher level of insulation, e.g., by covering it with an insulating material.
	Minor injury due to explosion may occasionally occur. Do not use the Product where subject to flammable or explosive gas.
	Minor electric shock, fire, or malfunction may occasionally occur. Do not disassemble, modify, or repair the Product or touch the interior of the Product.
	Property damage may occasionally occur due to ignition. Always make sure that the wires are connected properly before turning ON the power supply.
	Property damage may occasionally occur due to ignition. When wiring, make sure that the wiring material is properly inserted all the way into each terminal hole of the Product.
	Property damage may occasionally occur. Take appropriate measures such as performing periodic inspection of the Product and installing a monitoring device on a separate line.

Precautions for Safe Use

- Do not store, install, or use the Product in the following locations:
 - Outdoor or locations subject to direct sunlight
 - Locations subject to rain and wind damage
 - Locations subject to excessive vibration or shock
 - Locations subject to rapid temperature changes
 - Locations prone to icing and dew condensation
 - Locations subject to water or oil
 - Locations subject to dust or corrosive gases (particularly sulfurizing gases, ammonia, etc.)
 - Locations subject to influence of static electricity and noise
 - Locations subject to bugs and small animals
 - Locations subject to electromagnetic fields
 - Locations subject to a load
- A switch or circuit breaker should be provided close to this unit. The switch or circuit breaker should be within easy reach of the operator, and must be marked as a disconnecting means for this unit.
- Mount the Product in the correct direction for installation.
- Use the wire given in this manual.
- When wiring, wire by enough length.
- Do not bend a wire past its natural bending radius or pull on it with excessive force. Doing so may cause wire disconnection, or damage to the terminal block.
- Make sure the crimp terminals for wiring are of the specified size.
- Do not connect anything to unused terminals.
- Do not wire anything to the release holes.
- The terminal block may be damaged if you insert a flat-blade screwdriver in the release hole with excessive force. When inserting a flat-blade screwdriver into the release holes, operate with a force of 15-N or less.
- The Product may be subject to radio disturbances. Do not install the Product near equipment that generates high frequencies or surges.
- To prevent inductive noise, wire the lines connected to the Product separately from power lines carrying high voltages or currents. Also, do not wire in parallel with or on the same cables as power lines. Other measures for reducing noise are to separate from ducts including noisy lines.
- When discarding the Product, properly dispose of it as industrial waste.
- Be sure to use terminals of operation power supply carefully, because they have hazardous voltage.
- Make sure that the operation power supply voltage and the load voltage and current are within the specifications of the Product.
- Use the load within the range of its ratings and specifications. Failure to do so may result in a load failure before a load error is detected.
- Connect the voltage input and the current input on the primary side of the special CT correctly to the same load.
- Always use the special CT that is specified by OMRON's model number.
- Clamp the primary wire of the special CT correctly. After clamping, make sure until it clicks into place.
- The measurement accuracy may deteriorate due to the influence of external magnetic fields. Install the special CT as far away as possible from electric wires with large current flows, except for those to be measured.
- For RS-485 communications and transistor output, check the polarity of the terminals and wire them correctly to avoid incorrect wiring.
- Use the cable within the length that is rated in the specification requirements for the wiring between the sensor and the Product.
- Transistor output that detects a load error is a function to notify that the set threshold value is exceeded. Do not use this function for control, etc.
- Do not continue to use the Product if the front surface peels.
- Periodically check that the LCD display and LED indicators operate correctly. Depending on the operating environment, the display or indicators may fail due to deterioration.

Precautions for Correct Use

- In crossover wiring, connecting more than one K7TM in parallel may allow a large amount of current to flow. Keep the current to 10 A or less per terminal.
- Confirm that wire does not stick up after wiring of stranded cable.
- The terminal block may be damaged if specialized tool is not used. Use a recommended flat-blade screwdriver to insert into a release hole on the terminal block. Refer to the *K7TM User's Manual* (Cat. No. N227) for details.
- If an error occurs during the operation of the Product, stop the operation immediately and make suitable corrections such as replacement.
- If you accidentally drop the Product, the inside of the Product may be damaged, so do not use it.
- Do not use any liquids such as paint thinner, similar solvents or alcohol to clean the Product. Clean it with a soft, dry cloth.
- Do not use the Product for loads that switch at high speed, such as inverters. Failure to do may cause large measurement errors in the resistance of the load.
- When replacing the load or changing the usage conditions, perform the initial settings of the Product again. Failure to do so may cause false detection of a load error.
- Do not ground the terminal on the output side of the special CT. Failure to do so may result in unstable measurement.
- Make sure that the setting values registered in the Product match the specifications of the load and special CT that are actually used.

Specifications

Ambient operating temperature	-10 to 55°C
Ambient operating humidity	25% to 85%
Storage temperature	-20 to 65°C (with no condensation or icing)
Altitude	2,000 m max.
Vibration resistance	Frequency 10 to 55 Hz, 0.35-mm single amplitude, acceleration 50 m/s ² , 10 sweeps of 5 min each in X, Y, and Z directions
Shock resistance	100 m/s ² , 3 times each in X, Y, and Z axes, 6 directions
Degree of protection	IP20
Terminal block type	Push-In Plus
Exterior color	Black (Munsell N 1.5)
Mounting	DIN Track mounting
Weight	Approx. 200 g
Installation environment	Operation voltage: EN/IEC61010-1 Pollution Degree 2, Overvoltage category II Measurement circuit: EN/IEC61010-2-030 Pollution Degree 2, CAT II 600 V or CAT III 300 V
Industrial electromagnetic environment	EN/IEC61326-1

Wire type	Wiring material	Recommended wires	Stripping length without ferrules
Solid or Stranded wires	Copper	0.25 to 1.5 mm ² AWG 24 to AWG 16	8 mm

Primary-side rated current	Model numbers	Supplied cable	Model numbers	Supplied cable
5 A	K6CM-CICB005	Included	K6CM-CICB005-C	Included: Required for UL certification
25 A	K6CM-CICB025		K6CM-CICB025-C	
100 A	K6CM-CICB100		K6CM-CICB100-C	
200 A	K6CM-CICB200		K6CM-CICB200-C	
400 A	K6CM-CICB400		K6CM-CICB400-C	
600 A	K6CM-CICB600		K6CM-CICB600-C	

*CT (Current Transformer) is a non-contact measurement device that measures the current flowing in a wire.

● Operation power supply (terminal numbers: ①-②)	Power supply voltage and frequency	K7TM-A2MA: 100 to 240 VAC, 50/60 Hz K7TM-A2MD: 24 VAC, 50/60 Hz, 24 VDC
	Operating power supply voltage range	85% to 110% of the rated voltage
	Operating frequency range	45 to 65 Hz
	Power consumption	K7TM-A2MA: 8.5 VA max. (100 to 240 VAC) K7TM-A2MD: 5.2 VA max. (24 VAC)/ 2.9 W max. (24 VDC) T2A, time delay, high-breaking capacity
● CH1 voltage input (terminal numbers: ⑦-⑧), CH2 voltage input (terminal numbers: ⑩-⑪)	Recommend external fuse	Class CC, Class J, or Class T with a rated current of 7 A or less
● CH1 CT input (terminal numbers: ⑨-⑩), CH2 CT input (terminal numbers: ⑫-⑬)	Measurement accuracy	±0.5% FS ±1 digit
	Input range	0 to 600 VAC, 50/60Hz
● RS-485 communications 1 (terminal numbers: ⑬-⑭), RS-485 communications 2 (terminal numbers: ⑮-⑯)	Measurement accuracy	±0.5% FS ±1 digit
	Input range	0 to 600 AAC, 50/60Hz
● RS-485 communications 1 (terminal numbers: ⑬-⑭), RS-485 communications 2 (terminal numbers: ⑮-⑯)	Transmission path connection method	RS-485: Multidrop
	Communications method	RS-485 (2-wire, half duplex)
	Cable length	When the baud rate is 115.2 kbps or less, the maximum length is 500 m with a twisted-pair cable. When the baud rate is 230.4 kbps or less, the maximum length is 200 m with a twisted-pair cable.
	Protocol	Modbus RTU
	Baud rate	9.6 kbps/ 19.2 kbps/ 38.4 kbps/ 57.6 kbps/ 115.2 kbps/ 230.4 kbps
	Stop Bits	Always 8 bits.
	Communications stop bits	Always 1 bit (with parity check) Always 2 bits (with no parity check)
	Parity	None/Even/Odd
● Transistor outputs	Alarm output (terminal numbers: ⑰-⑱)	Output an alarm when a load error is detected.
	Output at error (terminal numbers: ⑲-⑳)	Output an alarm when an error occurs in the Product.
	Contact form	NPN open collector (normally closed)
	Rated voltage	24 VDC (maximum voltage: 26.4 VDC)
	Maximum current	50 mA

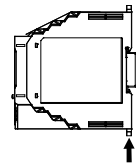
Mounting method

Mounting to DIN Track

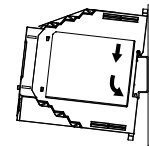
- Pull out all DIN Track mounting hooks on the bottom of the Product.



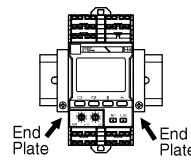
- Raise DIN Track mounting hook and fix the Product to the DIN Track.



- To mount the Product to a DIN Track, hook the upper hook of the Product onto the DIN Track and press the Units in the direction of the arrow.

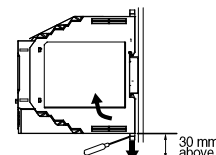


- Install an End Plate (sold separately) on each side of the connected the Product without any gap.



Dismounting from the DIN Track

Pull out the DIN Track mounting hook with a flat-blade screwdriver and lift the Unit from the bottom to remove it. The Product can be easily installed and removed if the distance to other devices is 30 mm or more.



Conformance to Safety Standards

- The protection provided by the device may be impaired if the device is used in a manner that is not specified by the manufacturer.
- To use the Product, install it as an embedded device within a control panel.
- To use the special CT, install it in the same control panel as the Product with a sufficient clearance from other devices.
- For the special CT, use one with -C suffixed to the model.
- For the operation power supply and voltage inputs, use recommended fuses that are externally installed.
- Use the voltage and CT inputs under conditions specified for the measurement category.
- The maximum temperature of the terminal block is 65°C. Therefore, use wires with a rated temperature of 65°C or higher.
- For the wire passing through the primary side of the special CT, use an insulated wire with basic insulation or higher degree of insulation that complies with Table 1.
- Using Table 2 as a guideline, select such a wire as the case temperature of the special CT will be 65°C or less.

Table 1

Load (heater) circuit voltage	AWM (Appliance Wiring Material) Wires Rated voltage and size	
	Overvoltage category II Measurement category II	Overvoltage category III Measurement category III
> 300 ≤ 600 V	600 V min. 1 AWG min.	/
> 150 ≤ 300 V	300 V min. No restriction on size	
≤ 150 V	150 V min. No restriction on size	150 V min. No restriction on size

Table 2

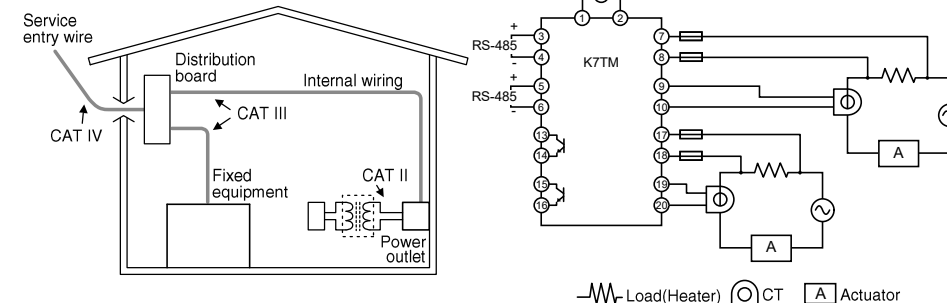
Special CT model	Wire size	Ambient operating temperature of K7TM and special CT
K6CM-CICB005-C	24 AWG min. (0.25 mm ² min.)	55°C max.
K6CM-CICB025-C	12 AWG min. (3.5 mm ² min.)	55°C max.
K6CM-CICB100-C	4 AWG (22 mm ²)	45°C max.
	2 AWG (35 mm ²)	50°C max.
	1 AWG min. (50 mm ² min.)	55°C max.
K6CM-CICB200-C	2/0 AWG (70 mm ²)	45°C max.
	3/0 AWG min. (95 mm ² min.)	50°C max.
K6CM-CICB400-C	3/0 AWG min. x 2 wires (95 mm ² min. x 2 wires)	40°C max.

Measurement category

The measurement category classifies the places and equipment which you can connect to the measurement terminals, as prescribed in EN/IEC 61010-2-030.

Each category is as follows.

- CAT II: Energy-consuming equipment with an energy supply from fixed wiring equipment (such as a power outlet)
- CAT III: Equipment in fixed wiring equipment that particularly demands equipment reliability and effectiveness
- CAT IV: Equipment to use at the electrical service entry



Conformance to EN/IEC Standards

This is a Class A product. In residential areas it may cause radio interference, in which case the user may be required to take adequate measures to reduce interference.

Conformance to KC Mark Standard

사용자안내문 이 기기는 업무용 환경에서 사용할 목적으로 적합성평가를 받은 기기로서 가정용 환경에서 사용하는 경우 전파간섭의 우려가 있습니다.

Suitability for Use

Omron Companies shall not be responsible for conformity with any standards, codes or regulations which apply to the combination of the Product in the Buyer's application or use of the Product.

At Buyer's request, Omron will provide applicable third party certification documents identifying ratings and limitations of use which apply to the Product. This information by itself is not sufficient for a complete determination of the suitability of the Product in combination with the end product, machine, system, or other application or use. Buyer shall be solely responsible for determining appropriateness of the particular Product with respect to Buyer's application, product or system. Buyer shall take application responsibility in all cases. NEVER USE THE PRODUCT FOR AN APPLICATION INVOLVING SERIOUS RISK TO LIFE OR PROPERTY OR IN LARGE QUANTITIES WITHOUT ENSURING THAT THE SYSTEM AS A WHOLE HAS BEEN DESIGNED TO ADDRESS THE RISKS, AND THAT THE OMRON PRODUCT(S) IS PROPERLY RATED AND INSTALLED FOR THE INTENDED USE WITHIN THE OVERALL EQUIPMENT OR SYSTEM.

OMRON EUROPE B.V. (Importer in EU)
Wegalaan 67-69, NL-2132 JD Hoofddorp The Netherlands
Phone 31-2356-81-300 FAX 31-2356-81-388

OMRON ELECTRONICS LLC
2895 Greenspoint Parkway, Suite 200 Hoffman Estates, IL 60169 U.S.A.
Phone 1-847-843-7900 FAX 1-847-843-7787

OMRON ASIA PACIFIC PTE. LTD.
No. 438A Alexandra Road # 05-05/08 (Lobby 2),
Alexandra Technopark, Singapore 119967
Phone 65-6835-3011 FAX 65-6835-2711

OMRON Corporation (Manufacturer)
Shiojoki Horikawa, Shimogyo-ku, Kyoto 600-8530 JAPAN

形K7TM ヒータ状態監視機器

取扱説明書

このたびは、オムロン製品をお買い上げいただきまして、まことにありがとうございます。この製品のご使用に際して、下記のことを守ってください。

- この説明書をよくお読みになり、十分にご理解の上、正しくご使用ください。
- この製品は電気の知識を有する専門家が扱ってください。
- お使いになる前に、「形 K7TM ユーザーズマニュアル」(Man.No. : SGTE-724)を必ずお読みください。
- この説明書はいつでも参照できるように大切に保管してください。

ご不明な点がございましたら、貴社のお取引先、または貴社担当オムロン販売員にご相談ください。

オムロン株式会社
©OMRON Corporation 2021 All Rights Reserved.
5690222-2A (Side-B)

安全上のご注意

●警告表示の意味

	正しい取扱いをしなければ、この危険のために、時に軽傷・中程度の傷害を負ったり、あるいは物的損害を受ける恐れがあります。
安全上の要点	製品を安全に使用するために実施または回避すべきことを示します。
使用上の注意	製品が動作不能、誤動作、または性能・機能への悪影響を予防するために実施または回避すべきことを示します。

●図記号の意味

	●感電注意 特定の条件において、感電の可能性を注意する通告。
	●禁止図記号一般 特定しない一般的な禁止の通告。
	●分解禁止 機器を分解することで感電などの傷害が起こる可能性がある場合の禁止の通告。
	●強制図記号の一般 特定しない一般的な使用者の行為を指示する図記号。

注意

感電による軽度の傷害が稀に起こる恐れがあります。通電中はボタンを除く製品本体に触らないでください。	
稀に感電の恐れがあります。専用CTおよび電圧入力配線する際は、必ず負荷と本製品の電源を切ってください。	
電極に触れ稀に感電の恐れがあります。専用CT本体の出力側の端子カバーは確実に閉めてください。	
軽度の感電、発火、機器の故障が稀に起こる恐れがあります。製品の中に金属、導線または、取り付け加工中の切粉などが入らないようにしてください。	
軽度の感電、発火、機器の故障が稀に起こる恐れがあります。専用CTの一次側を通す電線は、必ず基礎絶縁以上の被覆電線を使用してください。フスパーなどの導電物をクランプする際は、絶縁物で覆うなど基礎絶縁以上を確保した上で使用してください。	
稀に爆発による軽度の傷害の恐れがあります。引火性、爆発性ガスがあるところでは使用しないでください。	
軽度の感電、発火、機器の故障が稀に起こる恐れがあります。分解、改造、修理したり、内部に触らないでください。	
稀に発火による物的損害が起こる恐れがあります。電源投入前には、必ず配線に間違いがないかを確認してください。	
稀に発火による物的損害が起こる恐れがあります。配線する際は、本製品の端子穴の奥まで配線材を確実に挿し込んでください。	
稀に物的損害が起こる恐れがあります。本製品の定期点検および別系統で監視機器を取り付けるなどしてください。	

安全上の要点

- 下記の環境では保管、設置、使用しないでください。
 - ・屋外または直射日光が当たるところ
 - ・風雨にさらされるところ
 - ・振動、衝撃の影響が大きいところ
 - ・温度変化が激しいところ
 - ・氷結、結露の恐れがあるところ
 - ・水がかかる場所、被油のあるところ
 - ・塵あふ、腐食性ガス(特に硫化ガス、アンモニアガスなど)があるところ
 - ・静電気やノイズの影響を受けるところ
 - ・虫や小動物がいるところ
 - ・電界および磁界の影響を受けるところ
 - ・荷重がかかる場所
- 作業者がすぐ電源を OFF できるようにスイッチまたはサーキットブレーカを設置し、適切に表示してください。
- 取り付けの際は、正しい方向に設置してください。
- 配線に使用する電線は、記載された適切なものを使用してください。
- 配線する際は、ゆとりを持った配線長さにしてください。
- 電線は無理に曲げたり、引っ張ったりしないでください。断線したり端子台が破損する恐れがあります。
- 配線用圧着端子は指定サイズのものを使用してください。
- 未使用の端子には何も接続しないでください。
- リリースホールには配線しないでください。
- 過剰な力でリリースホールにマイナスドライバを押し込むと、端子台が破損する恐れがあります。リリースホールにマイナスドライバを押し込む場合は、15N 以下の力で操作してください。
- 受信電波障害を受ける恐れがあります。電波受信機を近くで使用しないでください。
- 誘導ノイズを防止するために、本製品の端子への配線は、高電圧、大電流の動力線とは分離して配線してください。また、動力線との平行配線や同一配線を避けてください。配管やダクトを別にするなど効果があります。
- 腐棄する場合は、産業廃棄物として処理してください。
- 操作電源の端子は危険電圧を考慮して使用してください。
- 操作電源の電源電圧および負荷の電圧・電流は、本製品の仕様範囲内で使用してください。
- 負荷は定格や仕様範囲内で使用してください。負荷の異常を検知する前に負荷が故障に至る原因となります。
- 電圧入力および専用 CT の一次側の電流入力は、同一の負荷に正しく接続してください。
- 専用 CT は、必ず弊社指定のものを使用してください。
- 専用 CT は一次側の電線を正しくクランプしてください。クランプ後、カチッと音がするまで確実に嵌合させてください。
- 外部磁界の影響により計測精度が悪化する恐れがあります。測定対象以外の大電流が流れる電線からできるだけ離して、専用 CT を設置してください。
- RS-485 通信およびトランジスタ出力は端子の極性を確認し、誤配線がないよう正しく配線してください。
- 通信のケーブル長は仕様範囲内で使用してください。
- 負荷の異常を検知するトランジスタ出力は、設定したしきい値を超えたことをお知らせする機能であるため、制御などには使用しないでください。
- フロントシートの剥がれ・破れが生じた状態で使用しないでください。
- 液晶表示および LED 表示が正常に動作することを定期的に確認してください。使用環境によっては、劣化により表示不良となることがあります。

安全規格対応について

- ・製造者が指定しない方法で機器を使用すると、機器が備える保護が損傷する可能性があります。
- ・本製品は、制御盤内など組み込み機器として設置して使用してください。
- ・専用 CT は、本製品と同一の制御盤内に設置し、他の機器から十分離して使用してください。
- ・専用 CT は形式末尾が -C のものを使用してください。
- ・操作電源および電圧入力、推奨ヒューズを外付けて使用してください。
- ・電圧入力および CT 入力は、測定カテゴリを超える条件で使用しないでください。
- ・端子台の最大温度は 65℃となります。そのため、電線は定格温度 65℃以上のものを使用してください。
- ・専用 CT の一次側を通す電線は、表 1 に適合する基礎絶縁以上の被覆電線を使用してください。
- ・専用 CT のケース温度が 65℃以下となるように、表 2 を目安に電線を選定してください。

使用上の注意

- 渡り配線する場合、複数台を並列接続すると多大な電流が流れる恐れがあります。1 端子あたり 10A 以下にしてください。
- より線の配線後は、電線ははみ出していないか確認してください。
- 推奨工具以外を使用すると、端子台を破壊する恐れがあります。リリースホールの操作には推奨のマイナスドライバを使用してください。詳細は「形 K7TM ユーザーズマニュアル」(SGTE-724)を参照してください。
- 本製品の動作に異常が生じた場合、本製品を速やかに停止し、交換するなどの適切な処置を行ってください。
- 製品を誤って落下させた場合、製品内部が破損している恐れがあるため、使用しないでください。
- 清掃の際は、シンナー類・アルコールなどの液体は使用せず、柔らかい布などで乾拭きをしてください。
- 本製品は、インバータなどで高速にスイッチングする負荷には使用しないでください。負荷の抵抗値の計測誤差が大きくなる場合があります。
- 負荷の交換および使用条件の変更をする場合、本製品の初期設定などを再度行ってください。負荷の異常を誤検知する原因となります。
- 専用 CT の出力側の端子を接地しないでください。測定が安定しない原因となります。
- 本製品に登録する設定値は、実際に使用する負荷および専用 CT の仕様と一致させてください。

仕様

使用周囲温度	-10 ~ 55℃
使用周囲湿度	25 ~ 85%RH
保管温度	-20 ~ 65℃ (ただし、結露または氷結のないこと)
高度	2000m 以下
耐振動	振動数 10 ~ 55Hz、片振幅 0.35mm、 加速度 50m/s ² 、X/Y/Z 各方向 5min×10 掃引
耐衝撃	100m/s ² 3 軸 6 方向 各 3 回
保護構造	IP20
端子台形状	ブッシュイン Plus
ケース外装色	黒 (マンセル N1.5)
取り付け	DIN レール
質量	約 200g
設置環境	操作電源 : EN/IEC61010-1 汚染度 2、過電圧カテゴリ II 測定回路 : EN/IEC61010-2-030 汚染度 2、 CAT II 600V または CAT III 300V
電磁環境	EN/IEC61326-1 Industrial electromagnetic environment
配線材	線種 線材 推奨電線 被覆剥きしろ (フェールレ端子未使用時)
単線 / より線	銅 0.25 ~ 1.5mm ² AWG24 ~ AWG16 8mm

専用 CT*(本製品に接続する CT)

一次側定格電流	形式	付属ケーブル	形式	付属ケーブル
5A	形 K6CM-CICB005	有	形 K6CM-CICB005-C	有 : UL 認証に必要
25A	形 K6CM-CICB025		形 K6CM-CICB025-C	
100A	形 K6CM-CICB100		形 K6CM-CICB100-C	
200A	形 K6CM-CICB200		形 K6CM-CICB200-C	
400A	形 K6CM-CICB400		形 K6CM-CICB400-C	
600A	形 K6CM-CICB600			

*CT (Current Transformer) とは、電線に流れる電流を非接触で測定する機器です。

取り付け方法

- DIN レールへの取り付け
 - 本製品の下の DIN レールに取り付けフックを引き下げます。
 - 上側のフックをレールに引っ掛け押し込みます。
 - DIN レール取り付けフックを押し上げてレールに固定します。
 - 本製品の左右にエンドプレート(別売)を取り付けます。本製品を挟み込むように隙間なく取り付けてください。
- DIN レールからの取り外し

マイナスドライバなどで DIN レール取り付けフックを下へ引き出して、下側から持ち上げてください。本製品から他の機器までの距離を 30mm 以上離すと取り付け、取り外しが容易になります。

安全規格対応について

・製造者が指定しない方法で機器を使用すると、機器が備える保護が損傷する可能性があります。

・本製品は、制御盤内など組み込み機器として設置して使用してください。

・専用 CT は、本製品と同一の制御盤内に設置し、他の機器から十分離して使用してください。

・専用 CT は形式末尾が -C のものを使用してください。

・操作電源および電圧入力、推奨ヒューズを外付けて使用してください。

・電圧入力および CT 入力は、測定カテゴリを超える条件で使用しないでください。

・端子台の最大温度は 65℃となります。そのため、電線は定格温度 65℃以上のものを使用してください。

・専用 CT の一次側を通す電線は、表 1 に適合する基礎絶縁以上の被覆電線を使用してください。

・専用 CT のケース温度が 65℃以下となるように、表 2 を目安に電線を選定してください。

負荷 (ヒータ) 回路電圧	AWM (Appliance Wiring Material) 電線 定格電圧およびサイズ	
	過電圧カテゴリ II 測定カテゴリ II	過電圧カテゴリ III 測定カテゴリ III
>300 ≤ 600V	600V 以上 1AWG 以上	
>150 ≤ 300V	300V 以上 サイズ制約なし	600V 以上 1AWG 以上
≤ 150V	150V 以上 サイズ制約なし	150V 以上 サイズ制約なし

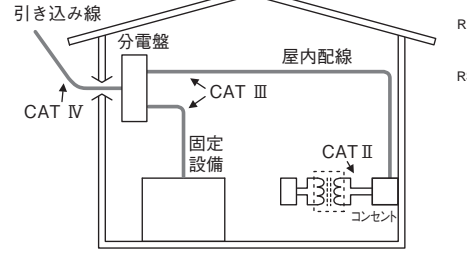
測定カテゴリとは

測定カテゴリとは、EN/IEC 61010-2-030 で規定されており、測定端子を接続してもよい場所・機器を分類したものです。それぞれのカテゴリは以下のとおりです。

CAT II : 固定配線設備(コンセントなど)から供給されるエネルギー消費型機器

CAT III : 機器の信頼性および有効性が特に要求される固定配線設備中の機器

CAT IV : 引き込み口部で使用される機器



EN/IEC規格対応について

この商品は「Class A」(工業環境商品)です。住宅環境でご利用されると、電波妨害の原因となる可能性があります。その場合には電波妨害に対する適切な対策が必要となります。

取り付け方法

- DIN レールへの取り付け
 - 本製品の下の DIN レールに取り付けフックを引き下げます。
 - 上側のフックをレールに引っ掛け押し込みます。
 - DIN レール取り付けフックを押し上げてレールに固定します。
 - 本製品の左右にエンドプレート(別売)を取り付けます。本製品を挟み込むように隙間なく取り付けてください。
- DIN レールからの取り外し

マイナスドライバなどで DIN レール取り付けフックを下へ引き出して、下側から持ち上げてください。本製品から他の機器までの距離を 30mm 以上離すと取り付け、取り外しが容易になります。

表 2

専用 CT 形式	電線サイズ	本製品および専用 CT の使用周囲温度
形 K6CM-CICB005-C	24AWG 以上 (0.25mm ² 以上)	55℃以下
形 K6CM-CICB025-C	12AWG 以上 (3.5mm ² 以上)	55℃以下
形 K6CM-CICB100-C	4AWG (22mm ²)	45℃以下
	2AWG (35mm ²)	50℃以下
形 K6CM-CICB200-C	1AWG 以上 (50mm ² 以上)	55℃以下
	2/0AWG (70mm ²)	45℃以下
形 K6CM-CICB400-C	3/0AWG 以上 (95mm ² 以上)	50℃以下
	3/0AWG 以上 ×2 本 (95mm ² 以上 ×2 本)	40℃以下



ご承諾事項

当社商品は、一般工業製品向けの汎用品として設計製造されています。従いまして、次に掲げる用途での使用を意図しておらず、お客様が当社商品をこれらの用途に使用される際には、当社は当社商品に対して一切保証をいたしません。ただし、次に掲げる用途であっても当社の意図した特別な商品用途の場合や特別の合意がある場合は除きます。

(a)高い安全性が必要とされる用途 (例: 原子力制御設備、燃焼設備、航空・宇宙設備、鉄道設備、昇降設備、娯楽設備、医用機器、安全装置、その他生命・身体に危険が及ぶ用途)

(b)高い信頼性が必要な用途 (例: ガス・水道・電気等の供給システム、24 時間連続運転システム、決済システムほか権利・財産を取扱う用途など)

(c)厳しい条件または環境での用途 (例: 屋外に設置する設備、化学的汚染を被る設備、電磁的妨害を被る設備、振動・衝撃を受ける設備など)

(d)カタログ等に記載のない条件や環境での用途

* (a)から(d)に記載されている他、本カタログ等記載の商品は自動車(二輪車含む。以下同じ)向けではありません。自動車で搭載する用途には利用しないで下さい。自動車搭載用商品については当社営業担当者にご相談ください。

* 上記は適合用途の条件の一部です。当社のベスト、総合カタログ、データシート等最新版のカタログ、マニュアルに記載の保証・免責事項の内容をよく読んでご使用ください。

オムロン株式会社

インダストリアルオートメーションビジネスカンパニー

●製品に関するお問い合わせ先
お客様相談室 クイック オムロン

フリーダイヤル **0120-919-066**

携帯電話・PHS・IP電話などではご利用いただけませんので、下記の電話番号へおかけください。
電話 **055-982-5015** (通話料がかかります) ■営業時間: 8:00~21:00
●FAXやWebページでもお問い合わせいただけます。 FAX 055-982-5051 / www.fa.omron.co.jp ■営業日: 365日

●その他のお問い合わせ
納期・価格・サンプル・仕様書は貴社のお取引先、または貴社担当オムロン販売員にご相談ください。オムロン制御機器販売店やオムロン販売拠点は、Webページでご案内しています。