

OMRON

型 E3ZM-V

光电传感器

使用说明书

感谢您选择欧姆龙产品。使用时，请务必遵守以下内容。



© OMRON Corporation 2007-2010 All Rights Reserved.

安全上的注意

警告表示的意思



如果不正确使用，有可能导致轻度伤害或物品损坏。

警告表示



请在额定电压下使用，否则会引起故障、起火。



不可将传感器连接交流电源。有爆裂的危险。



清洗时，请勿将高压水对着一处喷射。否则会有部品破损、保护构造劣化的危险。



OMRON

Model E3ZM-V PHOTOELECTRIC SENSOR

INSTRUCTION SHEET

NOTICE: This product meets CISPR11 class A. The intended use of this product is in an industrial environment only.

TRACEABILITY INFORMATION:

Representative in EU: Omron Europe B.V. Wegalaan 67-69 2132 JD Hoofddorp, The Netherlands

© OMRON Corporation 2007-2010 All Rights Reserved.

Precaution on Safety

Meanings of Signal Words



Indicates a potentially hazardous situation which, if not avoided, may result in minor or moderate injury or in property damage.

Alert statements in this Manual



Do not use it exceeding the rated voltage. There is a possibility of failure and fire.



Do not connect sensor to AC power supply. Risk of explosion.



Do not jet the high pressure water concentrating on one place when washing the product, because it might damage of parts and deteriorate the degree of protection.



安全上的要点

以下项目在安全确保方面非常重要，请务必遵守。

- (1) 使用环境 请不要在有可燃性、爆炸性气体的环境下使用。

使用上的注意点

- (1) 请勿在以下场所使用。 ①日光直射场所 ②湿度高或易结露场所

规格・性能

Table with 2 columns: Item and Specification. Includes output type, distance, voltage, and response time.

Precautions for Safe Use

- Be sure to follow the safety precautions below for added safety. (1) Use environment Do not use the sensor under the environment with explosive or ignition gas.

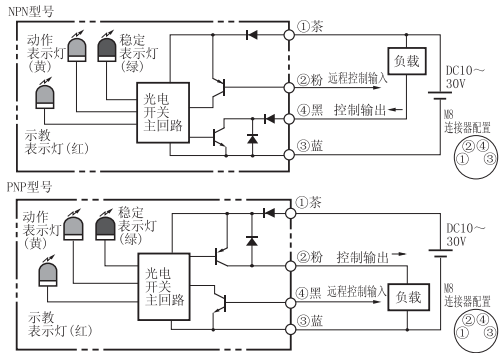
Precautions for Correct Use

- (1) Do not use the product under the following conditions. ① In the place exposed to the direct sunlight.

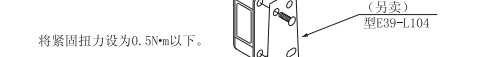
RATING PERFORMANCE

Table with 2 columns: Detection system and Diffuse reflective type (Detection of mark). Includes type, distance, voltage, and response time.

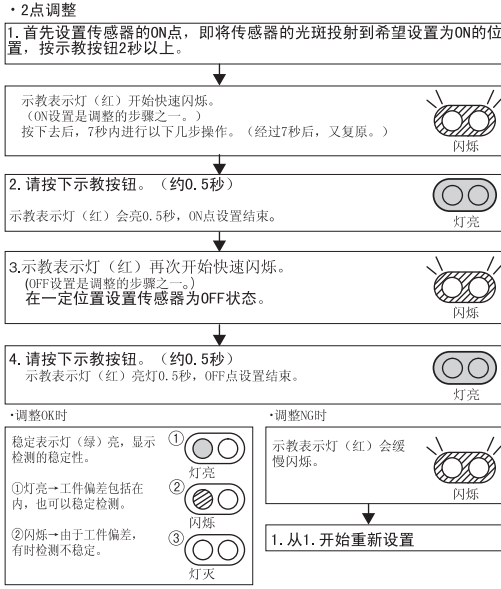
■ 输出回路图



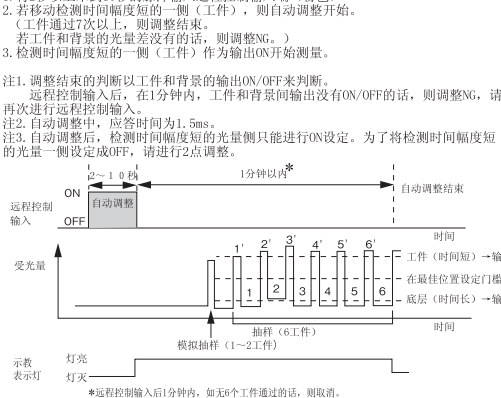
■ 安装图



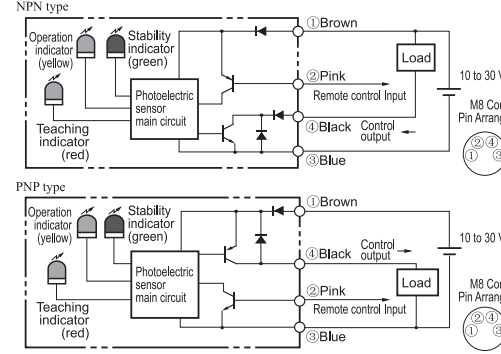
■ 操作顺序



■ 自动调整 (远程)



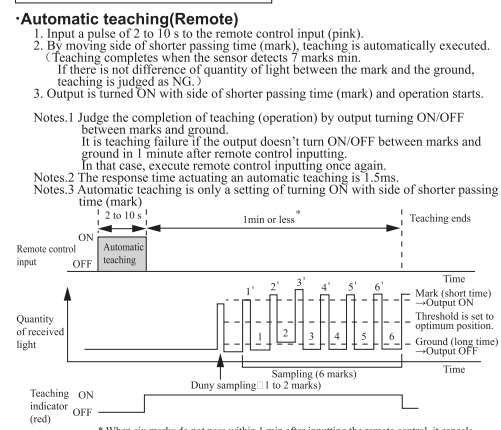
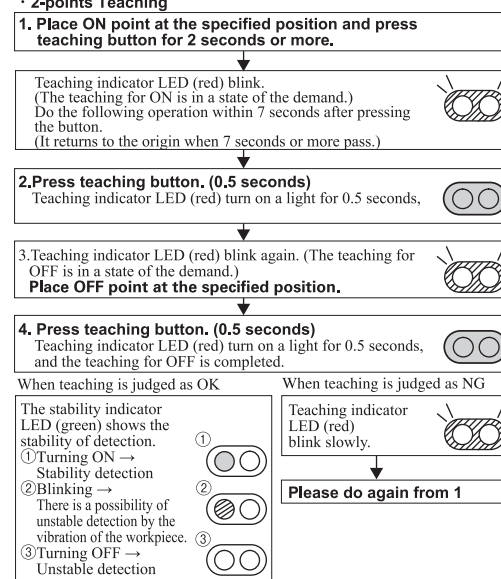
■ OUTPUT CIRCUIT DIAGRAM



■ MOUNTING

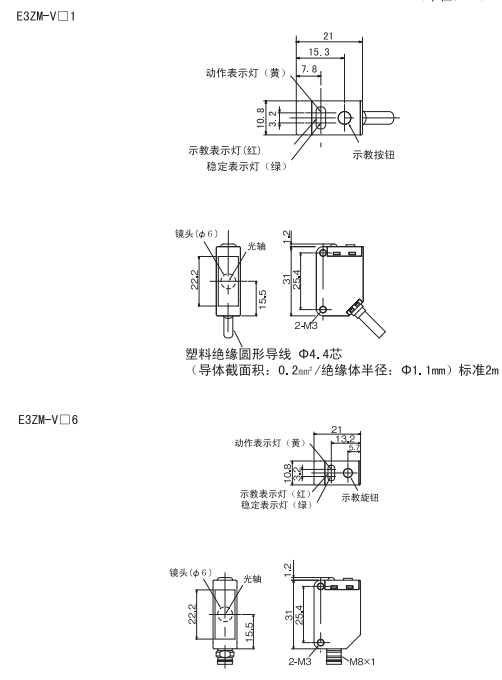


■ OPERATION PROCEDURE



■ 外形尺寸图

(单位: mm)



使用时的承诺事项

- ① 为了确保安全，直接或间接用于人体检测时，请勿使用本产品。 ② 使用于下列用途时，与本公司营业担当者商谈之后，根据规格书等确认的同时，对额定值性能方面请想出有裕度的使用方法和采取即使万一出现故障也能使危险降低到最小的安全回路等的安全对策。

■ 制造商

欧姆龙 (上海) 有限公司 地址: 中国上海市浦东新区金桥出口加工区金吉路789号

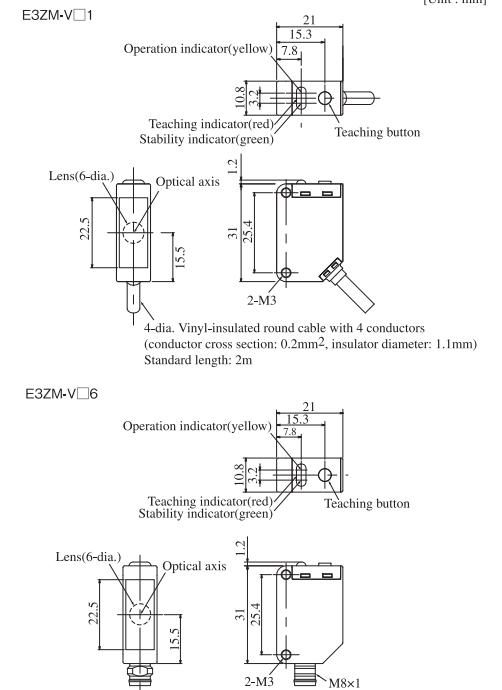
■ 技术咨询

欧姆龙 (中国) 有限公司 地址: 中国上海市浦东新区银城中路200号中银大厦2211室

OMRON Corporation

■ DIMENSIONS

[Unit: mm]



SUITABILITY FOR USE

THE PRODUCTS CONTAINED IN THIS SHEET ARE NOT SAFETY RATED. THEY ARE NOT DESIGNED OR RATED FOR ENSURING SAFETY OF PERSONS, AND SHOULD NOT BE RELIED UPON AS A SAFETY COMPONENT OR PROTECTIVE DEVICE FOR SUCH PURPOSES.

■ EUROPE

OMRON EUROPE B.V. Sensor Business Unit Carl-Benz Str.4, D-71154 Nufringen Germany

■ NORTH AMERICA

OMRON ELECTRONICS LLC One Commerce Drive Schaumburg, IL 60173-5302 U.S.A.

■ ASIA-PACIFIC

OMRON ASIA PACIFIC PTE. LTD. No. 438A Alexandra Road #05-05-08(Lobby 2),

■ CHINA

OMRON(CHINA) CO., LTD. 200 Yin Cheng Zhong Road, Pu Dong New Area, Shanghai, 200120, China

OMRON Corporation

© OCT, 2009